



# METZ EaZi-Fit

## A1 Fire Rated Cavity Tray System

METZ EaZi-Fit the only A1 Rated 'Malleable' Cavity Tray System that is site adaptable, adjustable and suitable for all buildings

**OFF-THE-SHELF**  
No mechanical fixings required



Miers EaZi-Fit installation videos

*Scan Me!*

Improving choice, quality and service



FS 658263

# METZ EaZi-Fit

## Non-Combustible Cavity Tray System

**A unique patented roll formed system made from a soft zinc alloy.**

EaZi-Fit is pre-formed and scored ready for installation. Supplied in 2m lengths.

**OFF-THE-SHELF**  
No mechanical fixings required

### Benefits

- Fast and easy to install
- No delay you can lay bricks straight away
- No fixings required
- Lightweight
- Easy to handle
- Malleable and flexible product
- Simply tape and seal joints
- Conforms to A1 Fire Certification Criteria
- System fully warranted for **60 years**
- Pre-formed lengths supplied from stock
- Standard pre-formed units supplied from stock
- 10m rolls available
- Different widths available
- Site adjustable

### Material Data System

#### ■ Grillo Soft Zinc

- Soft zinc made from ZN 99,995 % (Z1) according to DIN EN 1179
- Alloy - soft zinc, thickness - 0.6mm
- Thermal conductivity = 110W/(mK)
- Material to be stored in a dry environment

#### Chemical Composition

Pb	max. 0,003 %
Cd	max. 0,003 %
Sn	max. 0,001 %
Fe	max. 0,002 %
Zn	remain

#### Mechanical Properties

	Soft zinc	
Tensile strength Rm	< 120	MPa
Yield point R <sub>p0,2</sub>	< 60	MPa
Elongation	> 60	%

#### ■ Adhesive Tape

Double-sided, solvent-free acrylate adhesive.

Excellent adhesive, very high tack.

The final adhesion can be reached after 20 minutes.

- Temperature range -40°C to +80°C
- Adhesion >30n/25mm. (After 5 minutes contact)
- Manufactured according to ISO standards

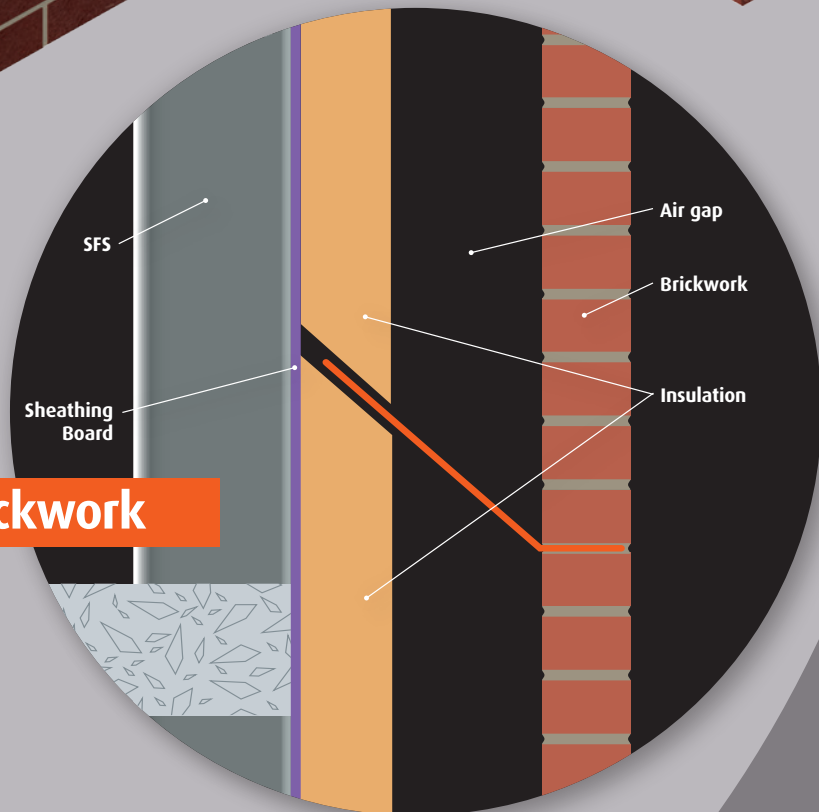
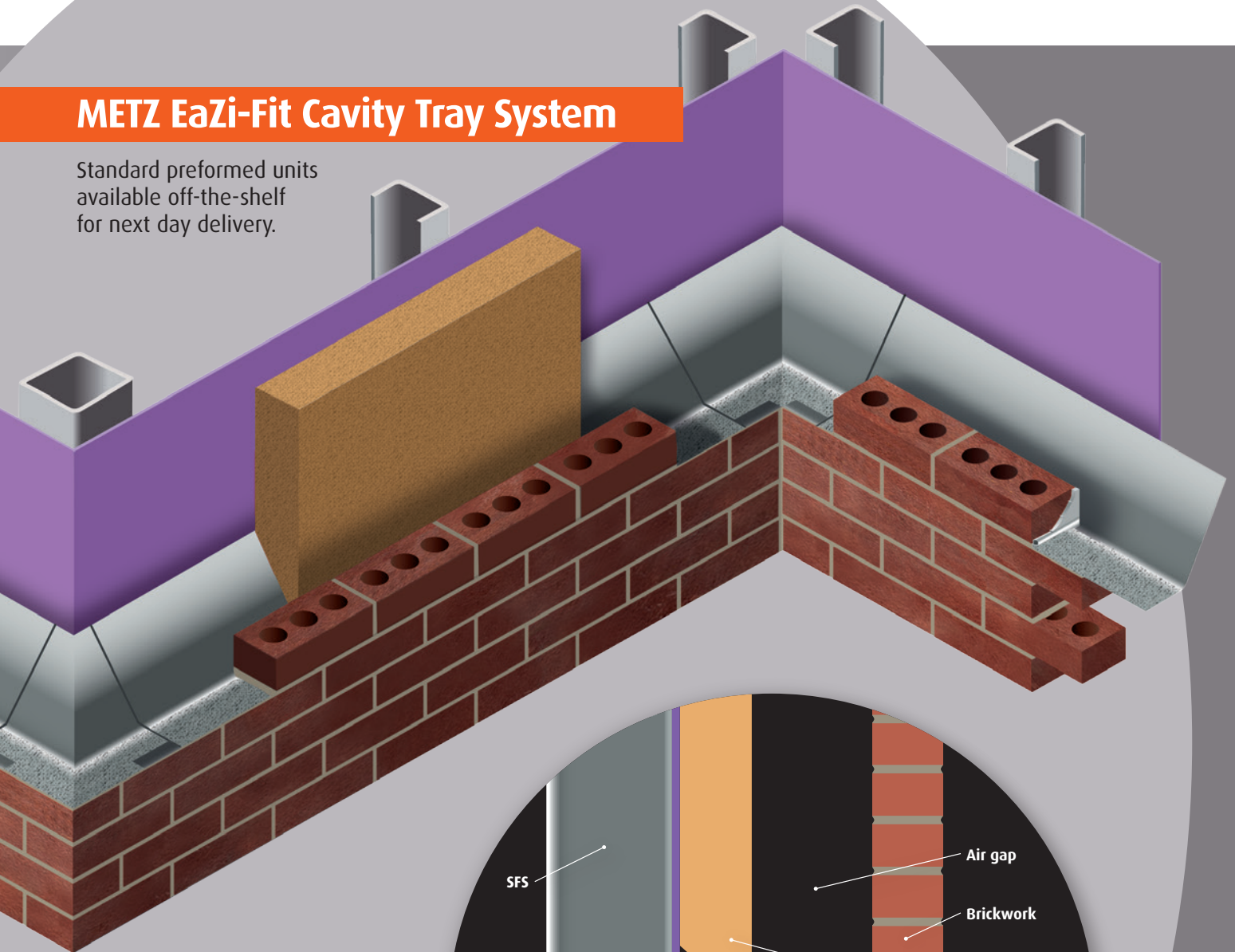
### Accreditations



Nationwide Depots

## METZ EaZi-Fit Cavity Tray System

Standard preformed units available off-the-shelf for next day delivery.

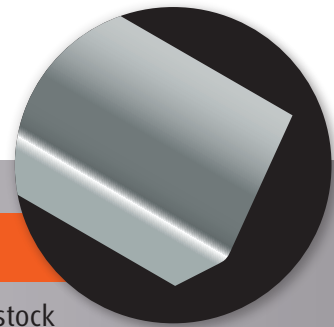


## METZ EaZi-Fit in Brickwork

If METZ EaZi-Fit cavity tray and the structure are to be bridged during construction, please use a site approved method.

Nationwide Depots

# METZ EaZi-Fit Non-Combustible Cavity Tray System



## METZ EaZi-Fit System

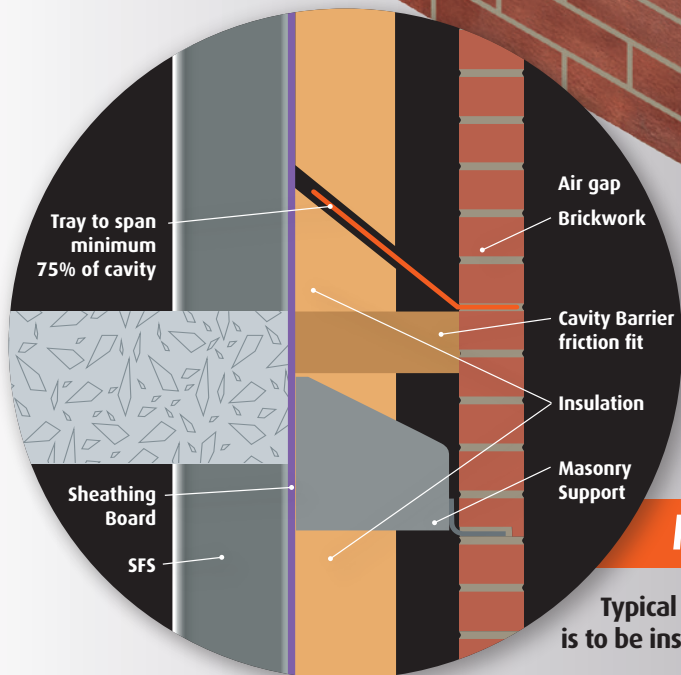
The METZ EaZi-Fit system is supplied from stock in preformed 2 metre lengths, pre-scored ready for installation. Preformed corners/stop ends etc. will be required to complete the system (certain preformed units can be formed on site).

Supplied to suit standard cavity ranges. Other sizes are available contact Miers for further information.

**OFF-THE-SHELF**  
5 systems to suit standard cavities

Standard System	Rise	Cavity (Min)	Cavity (Max)	Cavity Cover (Min)	CT Angle
System A	75mm	100mm* 87%	173mm 75%	130mm	30°
System B	88mm	172mm 88%	203mm 75%	152mm	30°
System C	100mm	199mm 90%	232mm 75%	174mm	30°
System D	113mm	216mm 91%	260mm 75%	196mm	30°
System E	125mm	238mm 92%	289mm 75%	217mm	30°

\*System A, 100mm cavity on site adjustment to off the shelf system. Larger systems available on request.




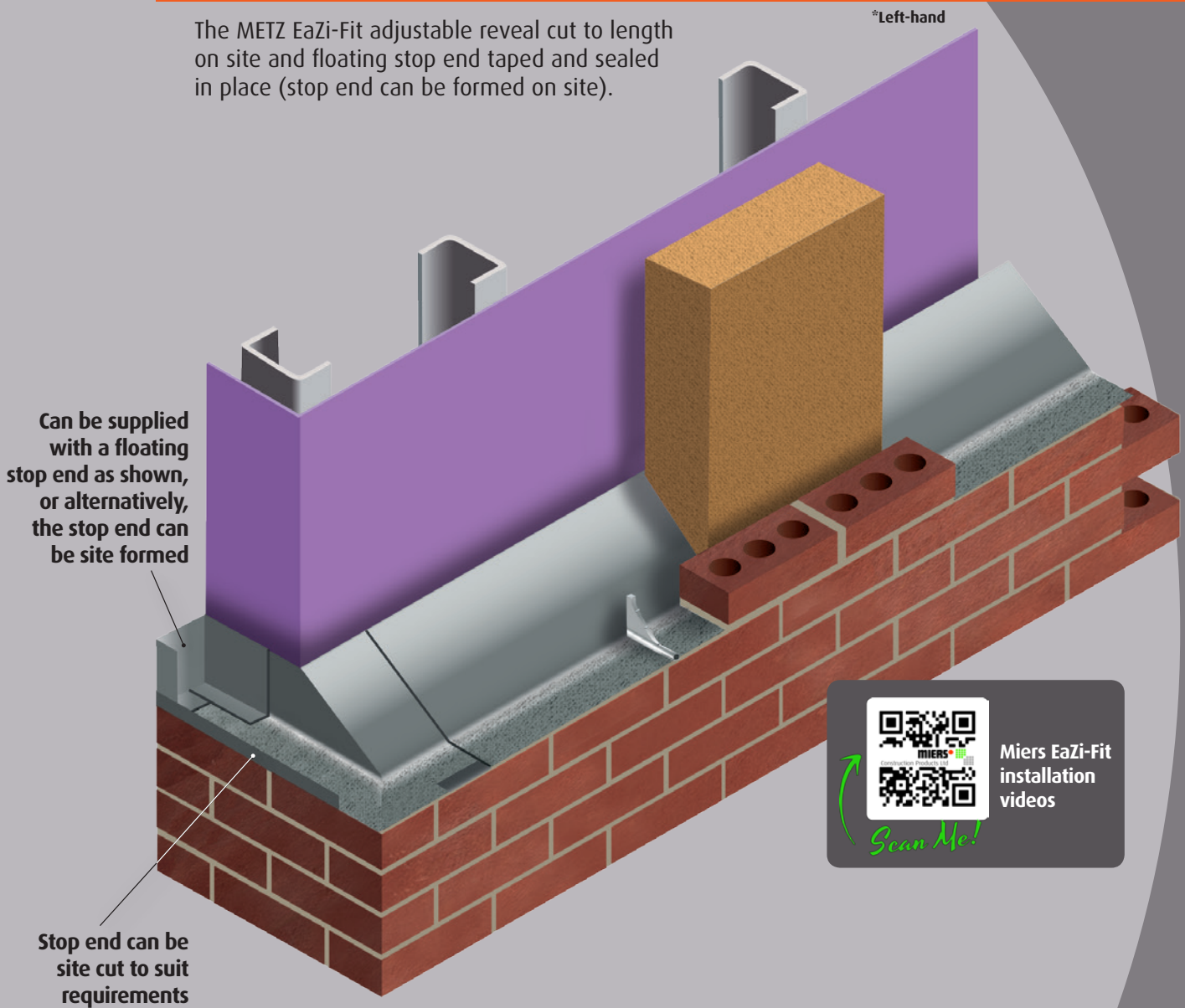
## METZ EaZi-Fit Requirement

Typical cavity tray installation detail, the EaZi-Fit cavity tray system is to be installed a minimum of 25mm from the inner structure

Nationwide Depots

## METZ EaZi-Fit Site Adjustable Reveal Detail\*

The METZ EaZi-Fit adjustable reveal cut to length on site and floating stop end taped and sealed in place (stop end can be formed on site).



Miers EaZi-Fit installation videos

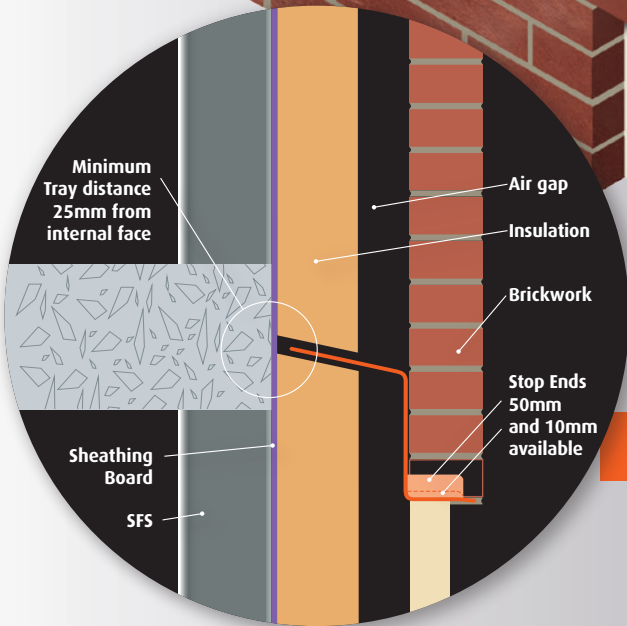
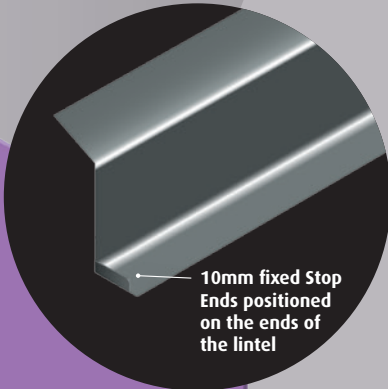
Scan Me!

# METZ EaZi-Fit Non-Combustible Cavity Tray System

## Miers CTL ALL-IN-ONE Stainless Steel Cavity Tray Lintel

The Miers CTL ALL-IN-ONE Cavity Tray Lintel combines a lintel with the benefits of a non-combustible cavity tray. The CTL comes complete with 50mm stop ends, positioned to suit your requirements.

CTL is also available with 10mm fixed Stop Ends positioned on the ends of the lintel.



### Benefits

- Non-combustible combined Cavity Tray and Lintel
- Easy to order
- Quick & simple installation no additional specialists skills required
- Efficient and practical non-combustible cavity solution
- Stop ends
- Stainless steel in grades 304 / 316
- To suit single skin steel frame masonry
- Specials available

Nationwide Depots

# Miers CTL **ALL-IN-ONE** Cavity Tray Lintel

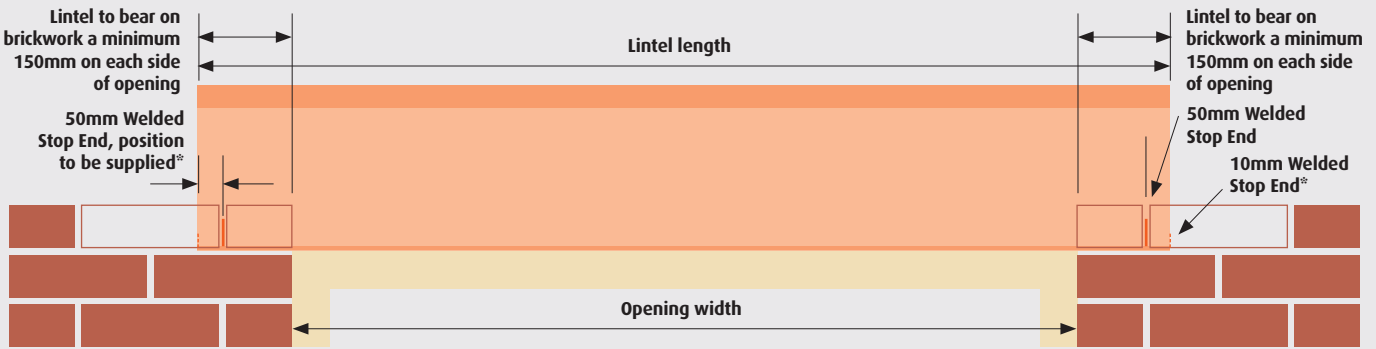
## Order and Design Sheet (50mm and 10mm\* Welded Stop Ends)



Easy to order, we need to know the opening width, cavity size, welded stop end size and position (50mm), and quantities you require. Lintels can be supplied in grade 304 / 316 to suit your project requirements.

Customer		Date	Order number or ref
Site address			
Post Code	Tel	Fax	Email

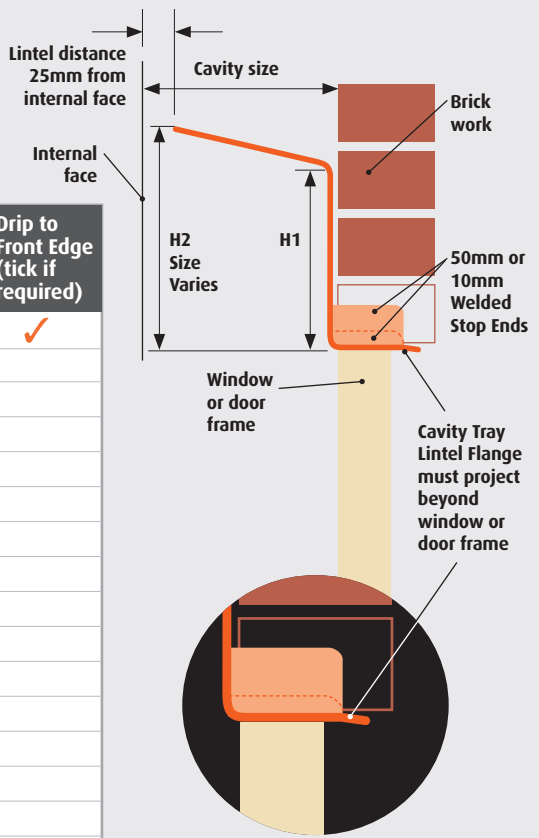
### Lintel requirements



When ordering your CTL lintel, please reference as follows;  
**CTL REF/CAVITY/LENGTH**

**FOR EXAMPLE**  
**CTL2 / 200 / 1600**  
 CTL REF    CAVITY (mm)    LENGTH (mm)

CTL Ref	Steel Grade (304 / 316)	Cavity Size (mm)	Lintel Length (mm)	50mm Stop End Position (mm)	Qty	Drip to Front Edge (tick if required)
<i>CTL2</i>	<i>304</i>	<i>200mm</i>	<i>1600mm</i>	<i>??mm</i>	<i>10</i>	<i>✓</i>



Note: Can be supplied with or without drip to front edge

\*Please note the 10mm Stop Ends are positioned on the ends of the lintel

Email: [technical@miersconstructionproducts.co.uk](mailto:technical@miersconstructionproducts.co.uk)

# METZ EaZi-Fit Non-Combustible Cavity Tray System

## METZ EaZi-Fit Complex Projects Technical Team

Miers experienced technical department offer a full take-off service. We provide in depth quotations and elevation drawings clearly showing where pre-fab units, off the shelf components and specials for your project are required.

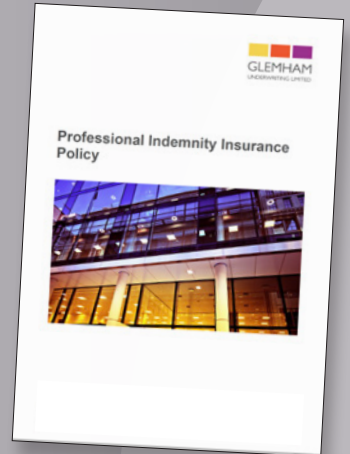
Clear information will greatly improve the accuracy and speed of our technical services. Full approval drawings where required will be needed once an order has been received.

Information we require includes:

- Architects elevations, GA drawings and sections.
- Cavity tray location requirements

Our technical team are happy to attend design meetings either in person or on teams to discuss your projects to ensure we receive all relevant information.

**METZ Technical Team are on hand to assist if required please email: [technical@miersconstructionproducts.co.uk](mailto:technical@miersconstructionproducts.co.uk)**



All design work fully covered by our PI insurance

Description	METZ	Quantity	Unit	Notes
dwg' 1252_021	1.1	23	Count	External Corner
dwg' 1252_022	3.1	24	Count	Stop End
dwg' 1252_022h	3.1	24	Count	Stop End Handed
dwg' 1252_024	1.1	1	Count	External Corner
dwg' 1252_025	2.1	20	Count	Internal Corner
dwg' 1252_026	Special	2	Count	Column Detail
dwg' 1252_027	Special	1	Count	Column Detail

Nationwide Depots



## Installation Procedure

### ■ Cutting

- 1 **METZ Cavity Tray is supplied scored and preformed in 2m lengths.**
- 2 Can also be formed by hand on site from 10m rolls with Miers metal hand held tool. Appropriate safety gloves should be worn when handling and working.
- 3 Use tin snips to cut to required lengths.

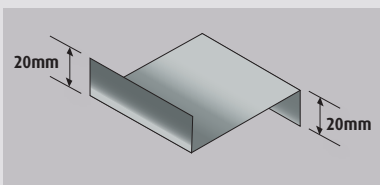
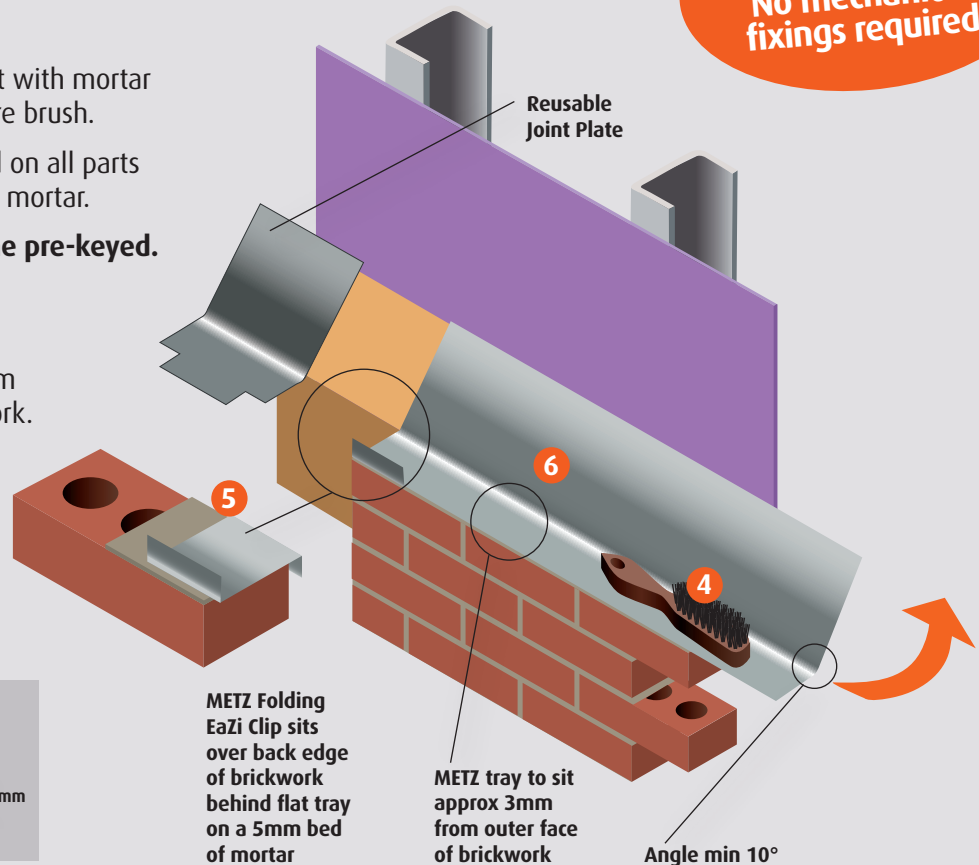


**OFF-THE-SHELF**  
No mechanical fixings required

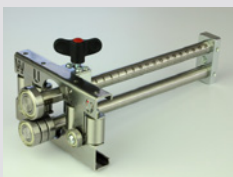
### ■ Forming

- 4 The sole of the tray in contact with mortar needs to be keyed with a wire brush. This process is to be repeated on all parts of the system in contact with mortar.
- All OFF-THE-SHELF units come pre-keyed.**
- 5 METZ EaZi Clip sits over the back edge of brickwork.
  - 6 The Tray is placed onto a 5mm bed of mortar on the brickwork.

**Reusable Joint Plate used behind tray for sealing.**  
Use a roller to ensure tape is fully sealed.

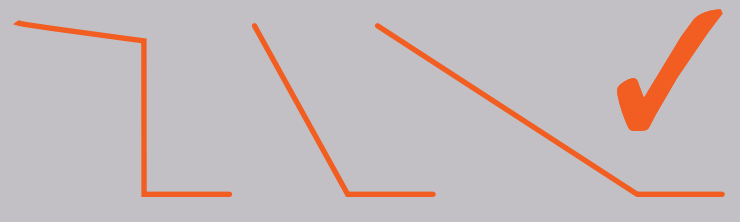


**If formed on site:** METZ Folding EaZi Clip requires 20mm back and 20mm upstand.



**Please note:** If forming on site use a Miers metal hand held bending tool.

#### Acceptable Shapes



Nationwide Depots

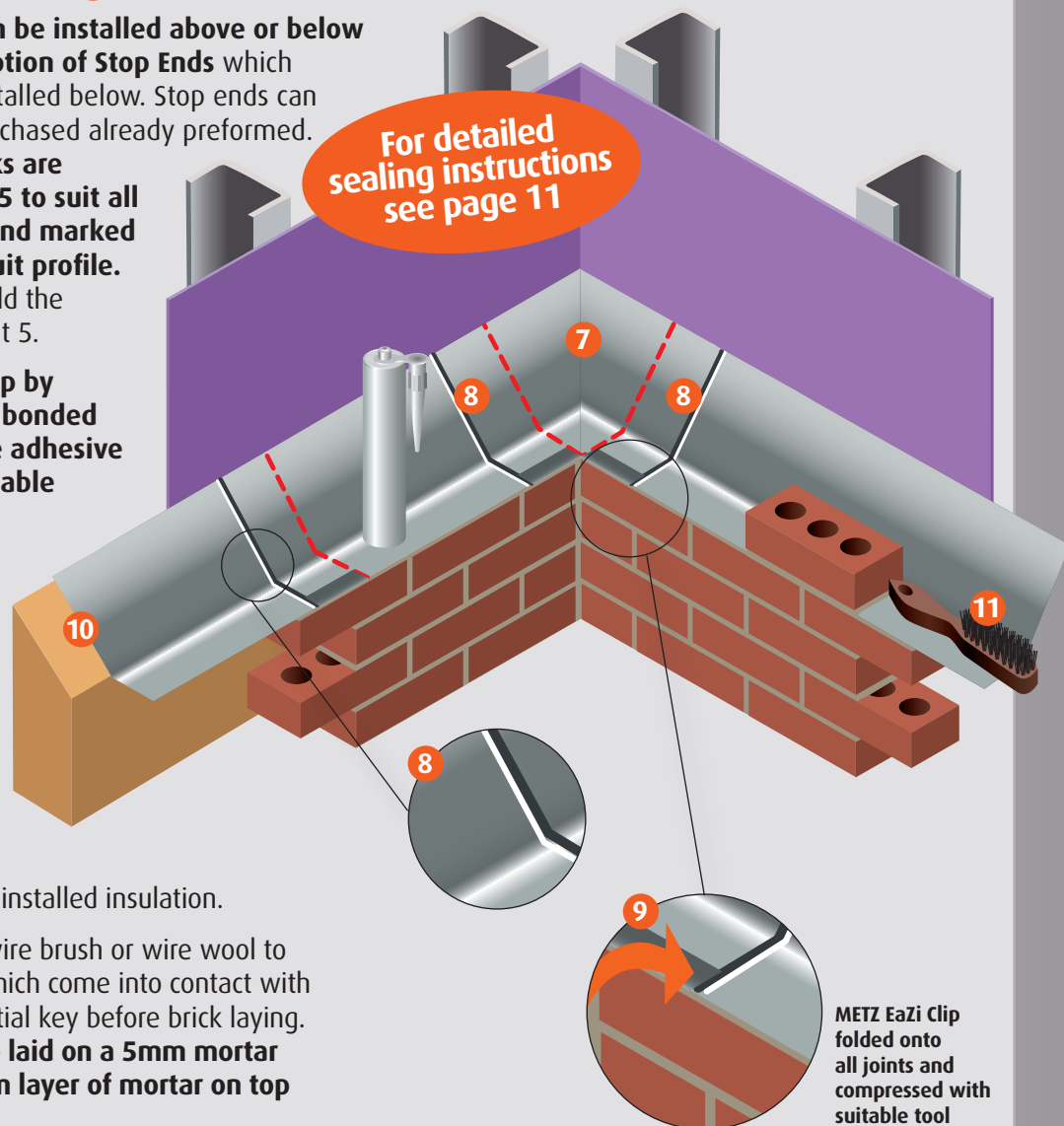
# METZ EaZi-Fit Non-Combustible Cavity Tray System

## Installation Procedure

### ■ Mortaring and Sealing

- 7** All preformed units can be installed above or below the tray with the exception of Stop Ends which we advise should be installed below. Stop ends can be formed on site or purchased already preformed. 130mm Stop End blanks are available in bags of 125 to suit all systems. Pre-scoured and marked ready for bending to suit profile. Use METZ EaZi Clips to hold the system in place, see point 5.
- 8** All joints should overlap by minimum 100mm and bonded using METZ double side adhesive tape (utilising the reusable jointing plate).  
All exposed edges on the joints must be sealed with 'METZ' sealant.
- 9** Fold the front 20mm upstand of the EaZi Clips down on the joints to secure in place and crimp in position.
- 10** The system rests against installed insulation.
- 11** If formed on site use a wire brush or wire wool to rough-up the surfaces which come into contact with the mortar to give an initial key before brick laying. **The cavity tray must be laid on a 5mm mortar base with another 5mm layer of mortar on top prior to laying bricks.**

**No delay you can lay bricks straight away.**

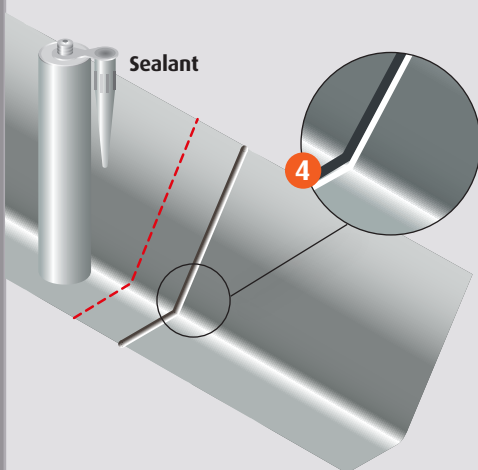
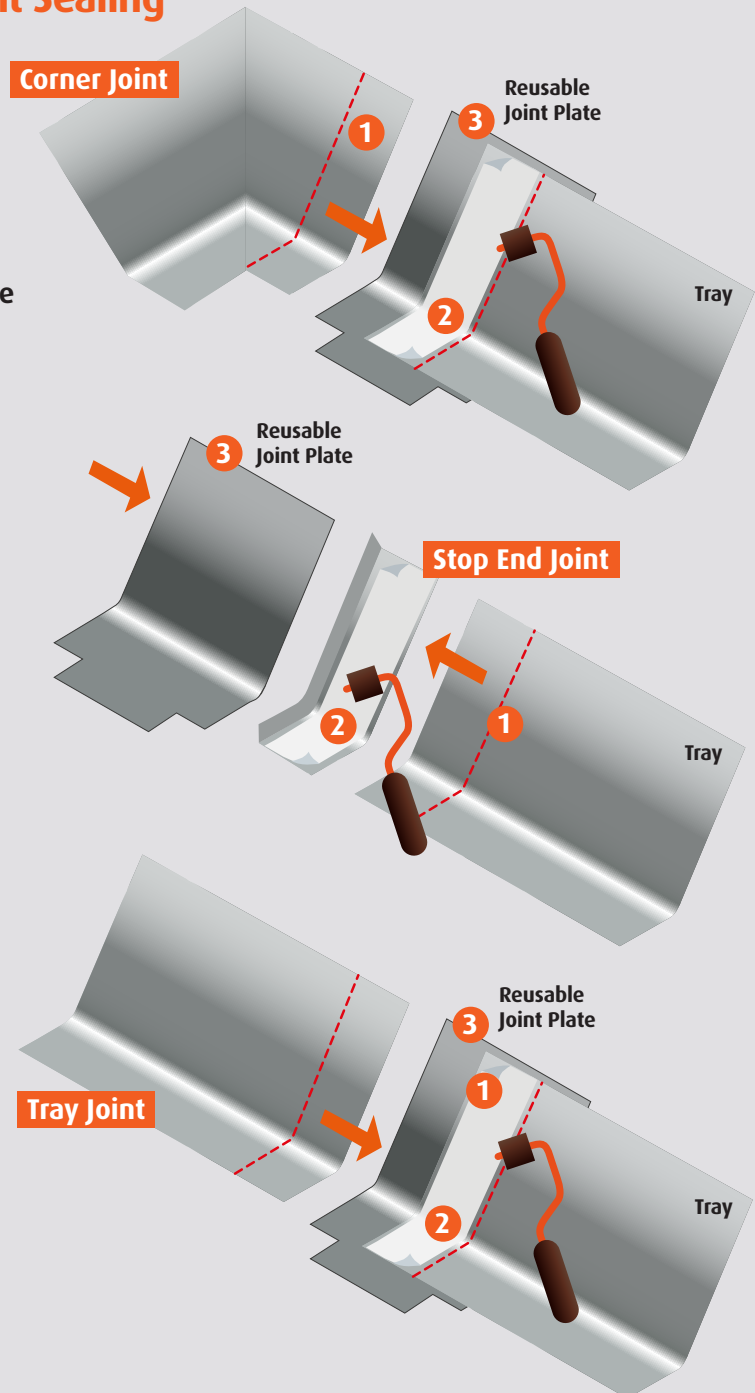
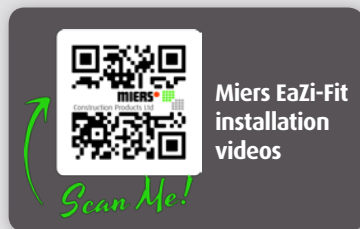


Nationwide Depots

## Sealing Procedure

### ■ Corner, Stop End and Tray Joint Sealing

- 1 All joints should overlap by minimum of 100mm.
- 2 Use METZ double side adhesive tape to bond all joints.
- 3 Insert Reusable Joint Plate behind tray and use roller to ensure tape is fully sealed.  
**All preformed units can be installed above or below the tray with the exception of Stop Ends which we advise should be installed below prefab lengths.**
- 4 All exposed edges on joints must be sealed with 'METZ' sealant.



Nationwide Depots

# METZ EaZi-Fit Non-Combustible Cavity Tray System

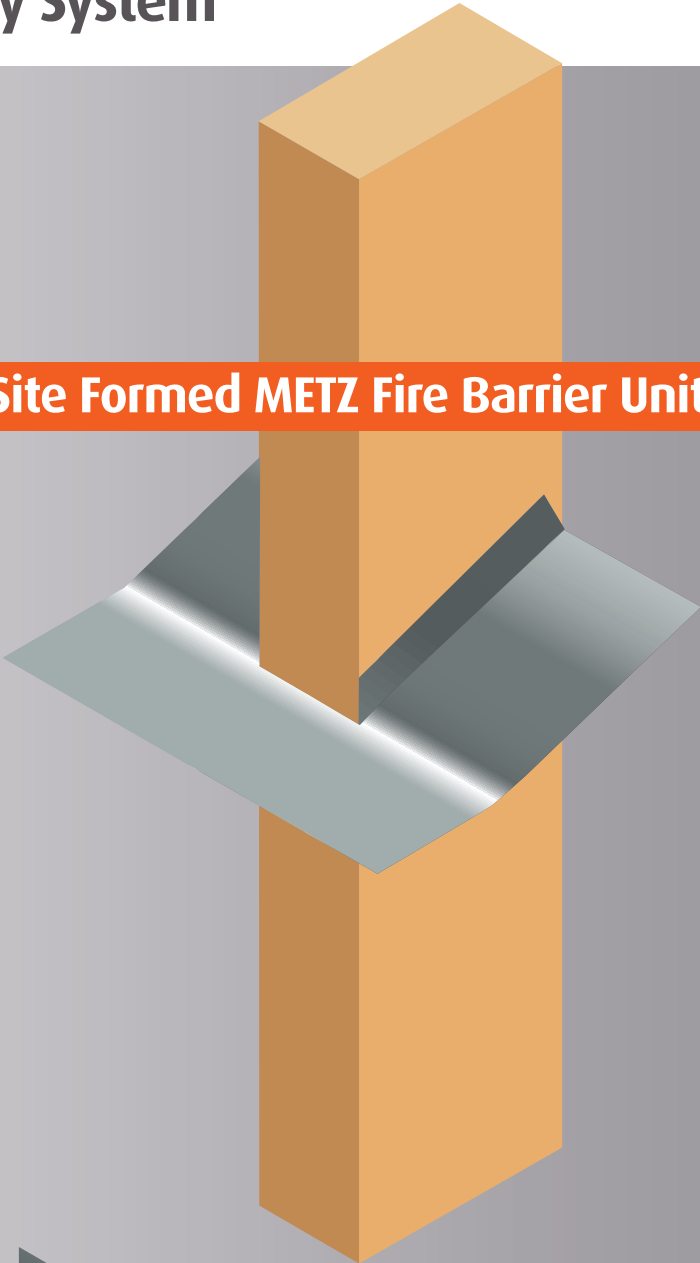
## On Site Forming

As an alternative solution you can be trained to form units on site from METZ Rolls.

Please contact us to arrange training.



## Site Formed METZ Fire Barrier Unit



## Site Formed Stop End Unit



## EZ Adjustable Reveal



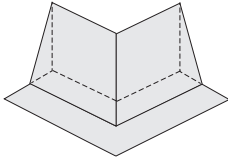
The Stop End on the  
EZ-Reveal can  
be site formed.

Nationwide Depots

# METZ EaZi-Fit Design Sheets Standards 1 - 3

## EZ External Corner

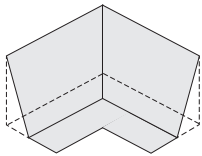
EZ External Corner



Standard PFU's shown -  
Please contact Miers  
Technical for Specials

## EZ Internal Corner

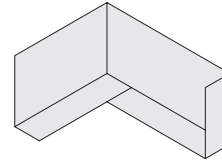
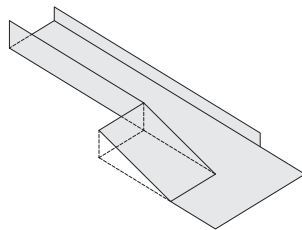
EZ Internal Corner



## EZ Adjustable Reveal Floating Stop End and

EZ Adjustable Reveal

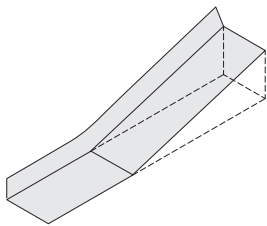
EZ Floating Stop End



# METZ EaZi-Fit Design Sheets Specials 4 - 8

## EZ Stop End Corner

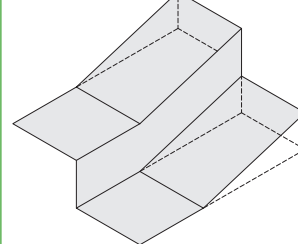
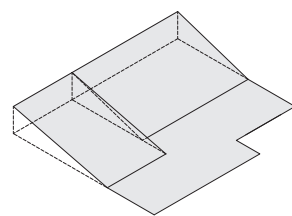
EZ Stop End



## EZ Step On Plan and Step On Elevation

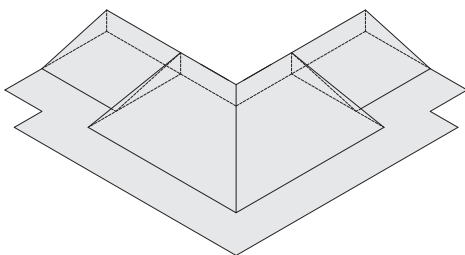
EZ Step On Plan

EZ Step On Elevation



## EZ Pier Corner

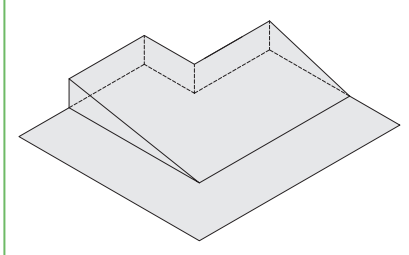
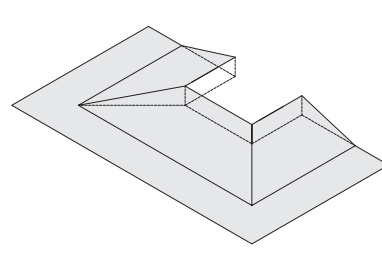
EZ Pier Corner



## EZ Column End Pier and Column Projection & Reveal

EZ Column End Pier

EZ Column Projection and Reveal



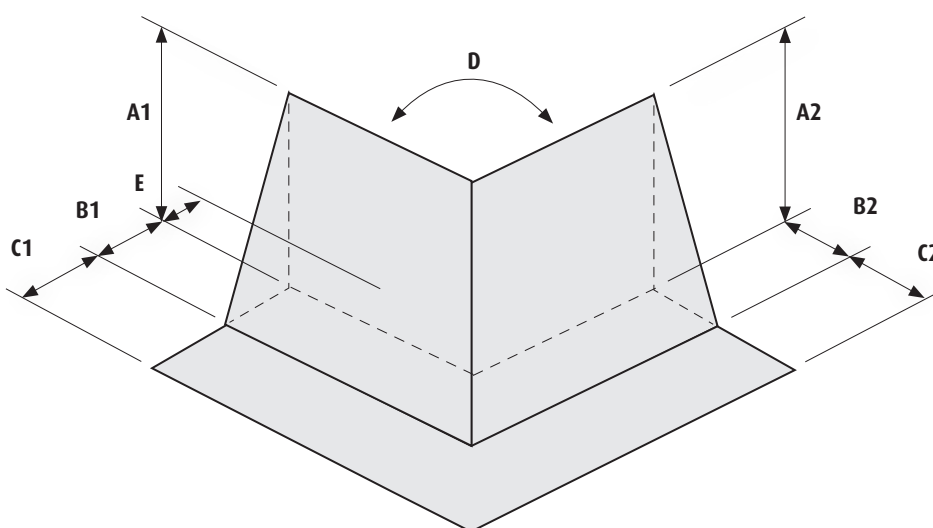
# METZ EaZi-Fit Cavity Tray

## Design Sheet: EZ External Corner

To place an order for METZ EZ Non-Combustible External Corner please fill out the form below.

<b>Customer Name</b>		<b>Date</b>	<b>Project Name</b>
Site address			
<b>Post Code</b>	<b>Tel</b>	<b>Fax</b>	<b>Email</b>

### External Corner



External Corner		
Location Reference		
		(Complete if different)
A - Rise	A1 =	A2 =
B - Cavity	B1 =	B2 =
C - Outer	C1 =	C2 =
D - Corner Angle	D =	
E - Tray to structure	E =	
Quantity as drawn		
Quantity handed		

Additional / bespoke features can be incorporated, if required please indicate:

- Stop Ends
- Specific Leg Length(s)

Please note External Corners are made to order and are non-returnable

<b>Signed</b>		<b>Print Name</b>
<b>Position</b>		<b>Date</b>

Email: [sales@miersconstructionproducts.co.uk](mailto:sales@miersconstructionproducts.co.uk)

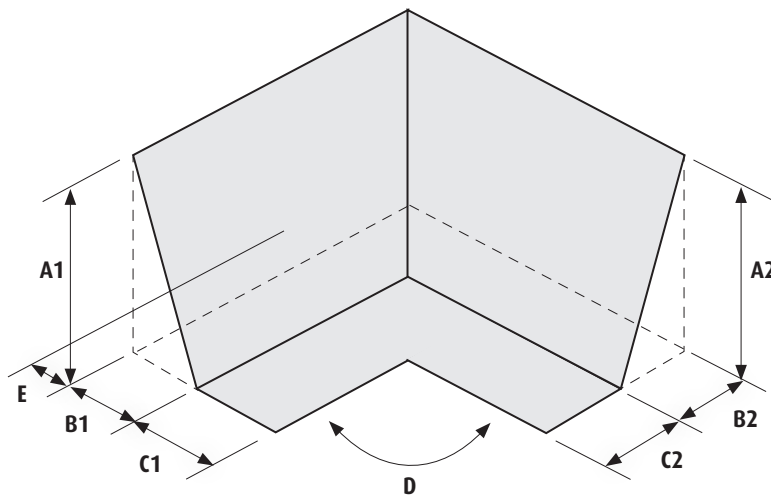
# METZ EaZi-Fit Cavity Tray

## Design Sheet: EZ Internal Corner

To place an order for METZ EZ Non-Combustible Internal Corner please fill out the form below.

<b>Customer Name</b>		<b>Date</b>	<b>Project Name</b>
Site address			
<b>Post Code</b>	<b>Tel</b>	<b>Fax</b>	<b>Email</b>

### Internal Corner



Internal Corner		
Location Reference		
		(Complete if different)
A - Rise	A1 =	A2 =
B - Cavity	B1 =	B2 =
C - Outer	C1 =	C2 =
D - Corner Angle	D =	
E - Tray to structure	E =	
Quantity as drawn		
Quantity handed		

Additional / bespoke features can be incorporated, if required please indicate:

- Stop Ends
- Specific Leg Length(s)

Please note Internal Corners are made to order and are non-returnable

<b>Signed</b>		<b>Print Name</b>
<b>Position</b>		<b>Date</b>

Email: [sales@miersconstructionproducts.co.uk](mailto:sales@miersconstructionproducts.co.uk)

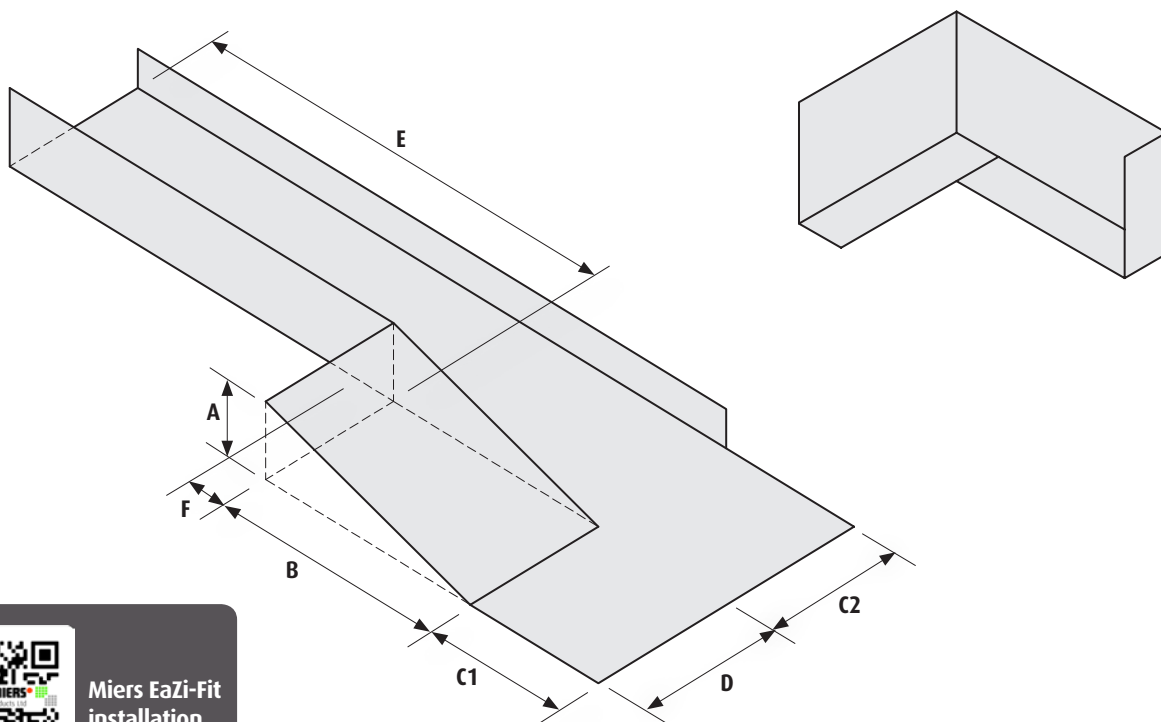
# METZ EaZi-Fit Cavity Tray

## Design Sheet: Adjustable Reveal

To place an order for METZ EZ Non-Combustible Adjustable Reveal please fill out the form below.

<b>Customer Name</b>		<b>Date</b>	<b>Project Name</b>
Site address			
<b>Post Code</b>	<b>Tel</b>	<b>Fax</b>	<b>Email</b>

### Adjustable Reveal



Adjustable Reveal		
Location Reference		
A - Rise		
B - Cavity		
C - Outer	C1 =	C2 =
D		
E		
F - Tray to structure		
Quantity as drawn		
Quantity handed		

Additional / bespoke features can be incorporated, if required please indicate:

- Stop Ends
- Specific Leg Length(s)

Please note Adjustable Reveals are made to order and are non-returnable

<b>Signed</b>		<b>Print Name</b>
<b>Position</b>		<b>Date</b>

Email: [sales@miersconstructionproducts.co.uk](mailto:sales@miersconstructionproducts.co.uk)



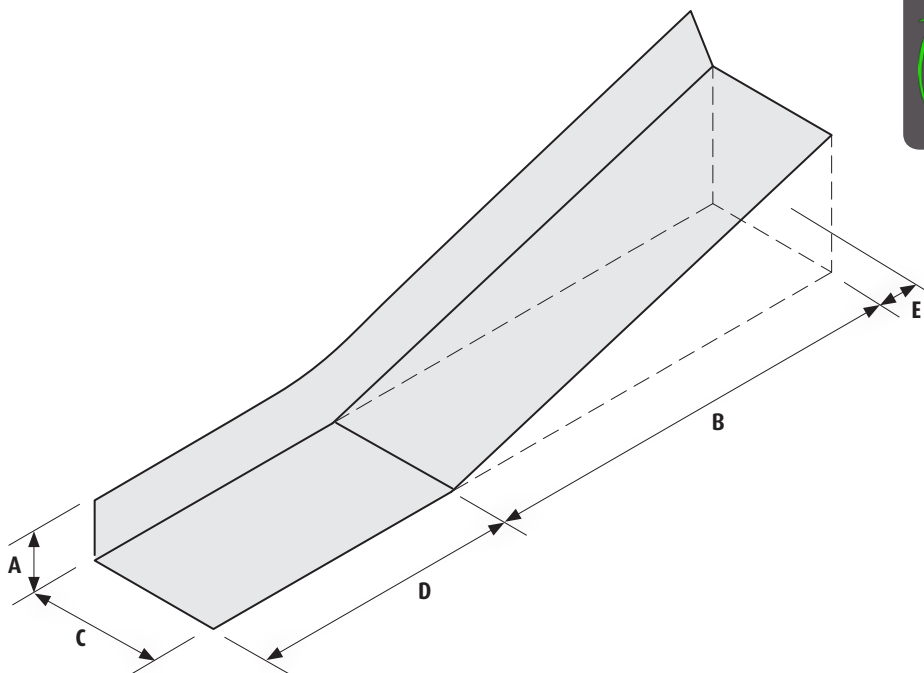
# METZ EaZi-Fit Cavity Tray

## Design Sheet: EZ Stop End

To place an order for METZ EZ Non-Combustible Stop End please fill out the form below.

<b>Customer Name</b>		<b>Date</b>	<b>Project Name</b>	
Site address				
<b>Post Code</b>	<b>Tel</b>	<b>Fax</b>	<b>Email</b>	

### Stop End



Stop End	
<b>Location Reference</b>	
(Complete if different)	
A - Rise	
B - Cavity	
C - Outer	
D	
E - Tray to structure	
Quantity as drawn	
Quantity handed	

Additional / bespoke features can be incorporated, if required please indicate:

- Stop Ends
- Specific Leg Length(s)

Please note Stop Ends are made to order and are non-returnable

<b>Signed</b>		<b>Print Name</b>
<b>Position</b>		<b>Date</b>

Email: [sales@miersconstructionproducts.co.uk](mailto:sales@miersconstructionproducts.co.uk)

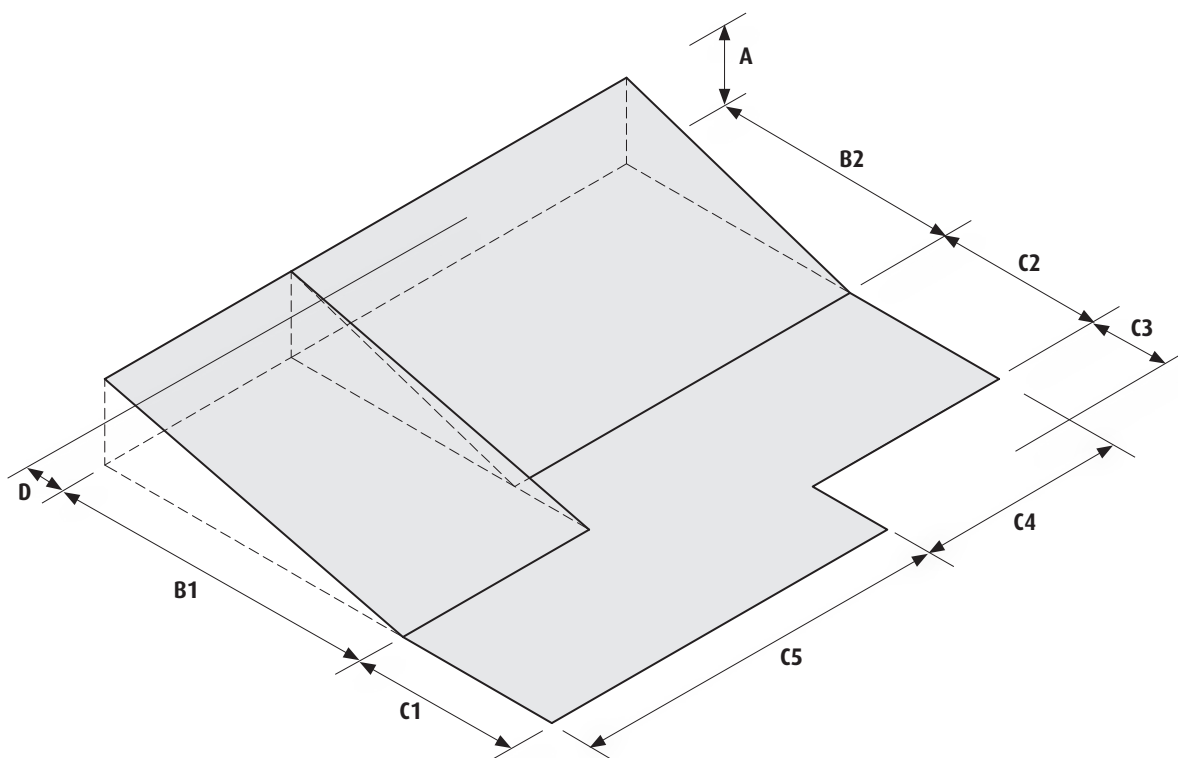
# METZ EaZi-Fit Cavity Tray

## Design Sheet: EZ Stop End Plan

To place an order for METZ EZ Non-Combustible Stop End Plan please fill out the form below.

<b>Customer Name</b>		<b>Date</b>	<b>Project Name</b>
Site address			
<b>Post Code</b>	<b>Tel</b>	<b>Fax</b>	<b>Email</b>

### Stop End Plan



#### Stop End Plan

##### Location Reference

<b>A - Rise</b>		
<b>B - Cavity</b>	<b>B1 =</b>	<b>B2 =</b>
<b>C - Outer</b>	<b>C1 =</b>	<b>C2 =</b>
	<b>C3 =</b>	<b>C4 =</b>
	<b>C5 =</b>	
<b>D - Tray to structure</b>		
<b>Quantity as drawn</b>		
<b>Quantity handed</b>		

Additional / bespoke features can be incorporated, if required please indicate:

- Stop Ends
- Specific Leg Length(s)

Please note Stop End Plans are made to order and are non-returnable

<b>Signed</b>		<b>Print Name</b>
<b>Position</b>		<b>Date</b>

Email: [sales@miersconstructionproducts.co.uk](mailto:sales@miersconstructionproducts.co.uk)

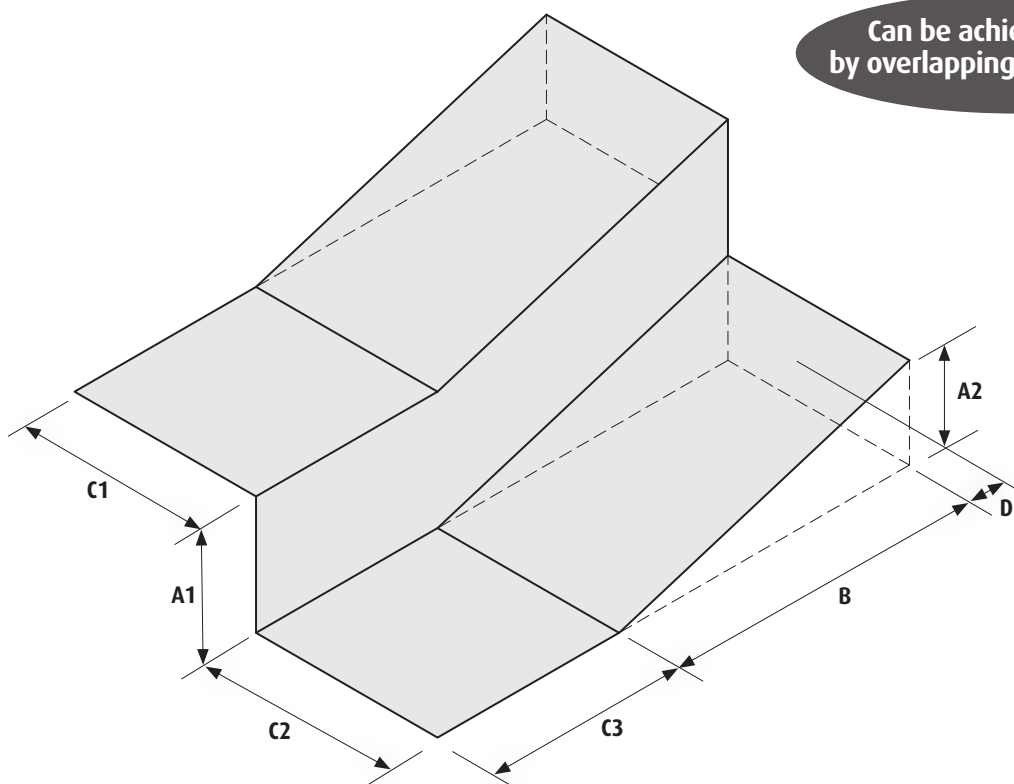
# METZ EaZi-Fit Cavity Tray

## Design Sheet: EZ Step On Elevation

To place an order for METZ EZ Non-Combustible Step On Elevation please fill out the form below.

<b>Customer Name</b>		<b>Date</b>	<b>Project Name</b>	
Site address				
<b>Post Code</b>	<b>Tel</b>	<b>Fax</b>	<b>Email</b>	

### Step On Elevation



Step On Elevation		
<b>Location Reference</b>		
(Complete if different)		
<b>A - Rise</b>	A1 =	A2 =
<b>B - Cavity</b>		
<b>C - Outer</b>	C1 =	C2 =
	C3 =	
<b>D - Tray to structure</b>		
<b>Quantity as drawn</b>		
<b>Quantity handed</b>		

Additional / bespoke features can be incorporated, if required please indicate:

- Stop Ends
- Specific Leg Length(s)

Please note Step On Elevations are made to order and are non-returnable

<b>Signed</b>		<b>Print Name</b>
<b>Position</b>		<b>Date</b>

Email: [sales@miersconstructionproducts.co.uk](mailto:sales@miersconstructionproducts.co.uk)

# METZ EaZi-Fit Cavity Tray

## Design Sheet: EZ Pier Corner

To place an order for METZ EZ Non-Combustible Pier Corner please fill out the form below.

<b>Customer Name</b>		<b>Date</b>	<b>Project Name</b>
Site address			
<b>Post Code</b>	<b>Tel</b>	<b>Fax</b>	<b>Email</b>

<b>Pier Corner</b>		
<b>Pier Corner</b>		
<b>Location Reference</b>		
(Complete if different)		
<b>A - Rise</b>	A =	
<b>B - Cavity</b>	B1 =	B2 =
<b>C - Outer</b>	C1 =	C2 =
<b>D</b>	D1 =	D2 =
<b>E</b>	E1 =	E2 =
<b>F</b>	F1 =	F2 =
<b>G - Tray to structure</b>		
<b>Quantity as drawn</b>		
<b>Quantity handed</b>		
<p>Additional / bespoke features can be incorporated, if required please indicate:</p> <ul style="list-style-type: none"> <li>• Stop Ends</li> <li>• Specific Leg Length(s)</li> </ul>		

<b>Please note Pier Corners are made to order and are non-returnable</b>		
<b>Signed</b>		<b>Print Name</b>
<b>Position</b>		<b>Date</b>

Email: [sales@miersconstructionproducts.co.uk](mailto:sales@miersconstructionproducts.co.uk)

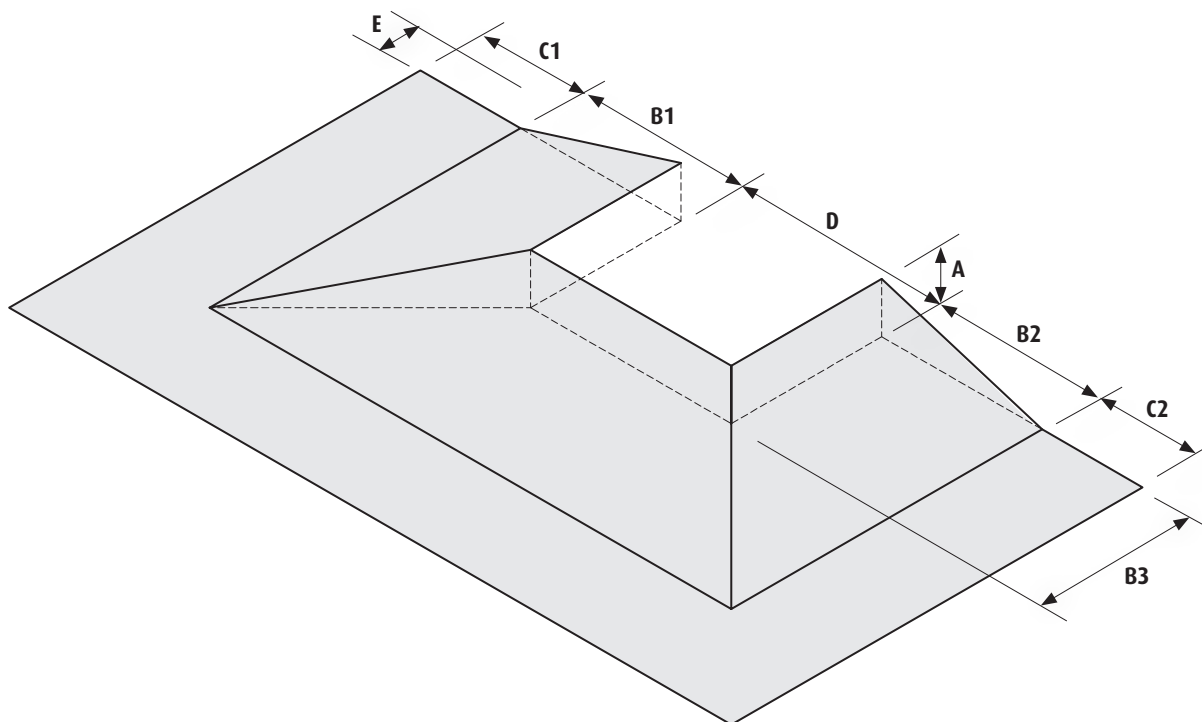
# METZ EaZi-Fit Cavity Tray

## Design Sheet: EZ Column End Pier

To place an order for METZ EZ Non-Combustible Column End Pier please fill out the form below.

<b>Customer Name</b>		<b>Date</b>	<b>Project Name</b>
Site address			
<b>Post Code</b>	<b>Tel</b>	<b>Fax</b>	<b>Email</b>

### Column End Pier



Column End Pier		
<b>Location Reference</b>		
<b>A - Rise</b>		
<b>B - Cavity</b>	<b>B1 =</b>	<b>B2 =</b>
	<b>B3 =</b>	
<b>C - Outer</b>	<b>C1 =</b>	<b>C2 =</b>
<b>D</b>		
<b>E - Tray to structure</b>		
<b>Quantity as drawn</b>		
<b>Quantity handed</b>		

Additional / bespoke features can be incorporated, if required please indicate:

- Stop Ends
- Specific Leg Length(s)

Please note Column End Piers are made to order and are non-returnable

<b>Signed</b>		<b>Print Name</b>
<b>Position</b>		<b>Date</b>

Email: [sales@miersconstructionproducts.co.uk](mailto:sales@miersconstructionproducts.co.uk)

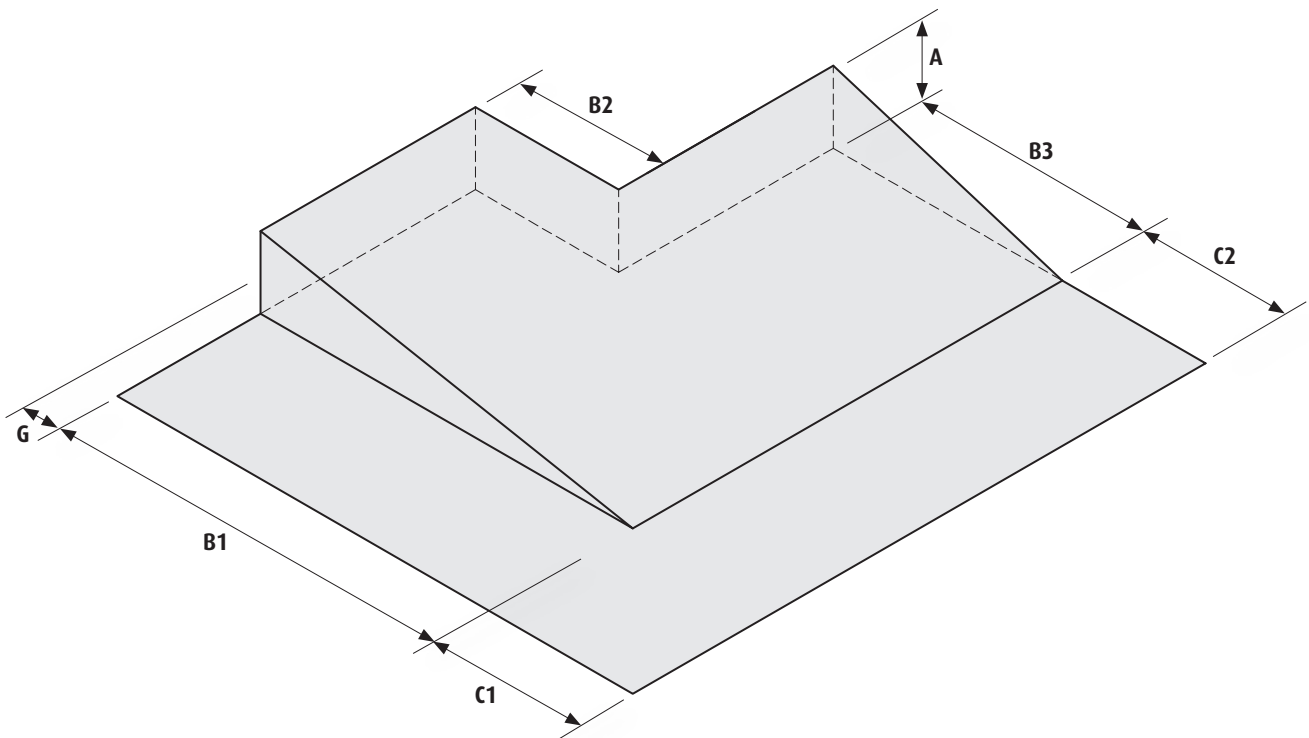
# METZ EaZi-Fit Cavity Tray

## Design Sheet: EZ Column Projection & Reveal

To place an order for METZ EZ Non-Combustible Column Projection & Reveal please fill out the form below.

<b>Customer Name</b>		<b>Date</b>	<b>Project Name</b>
Site address			
<b>Post Code</b>	<b>Tel</b>	<b>Fax</b>	<b>Email</b>

### Column Projection & Reveal



Column Projection & Reveal		
Location Reference		
A - Rise		
B - Cavity	B1 =	B2 =
	B3 =	
C - Outer	C1 =	C2 =
G - Tray to structure		
Quantity as drawn		
Quantity handed		

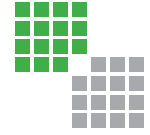
Additional / bespoke features can be incorporated, if required please indicate:

- Stop Ends
- Specific Leg Length(s)

Please note Column Projection & Reveals are made to order and are non-returnable

<b>Signed</b>		<b>Print Name</b>
<b>Position</b>		<b>Date</b>

Email: [sales@miersconstructionproducts.co.uk](mailto:sales@miersconstructionproducts.co.uk)



Project	_____
Building	_____
Floor level	_____
Inspected by	_____
Signature	_____
Date	_____

## METZ **EaZi-Fit** Installation Checklist



- Ensure all required tools are to hand and wear appropriate safety equipment (gloves, goggles, etc.)
- All surfaces should be clean and dry
- Use a maximum length of 2m for forming / fitting
- Preformed units can be installed on top or below the prefab 2m lengths
- Stop ends must be fitted under the prefab 2m lengths
- Fit METZ cavity tray a minimum of 3mm back from face of the brickwork
- Joints should overlap by a minimum 100mm
- All exposed edges are to be sealed with METZ sealant
- Wire brush the surface in contact with mortar of any site formed linear lengths or site formed units
- Ensure that the section of cavity tray that is in the brickwork is laid on a 5mm mortar base and is also topped with 5mm of mortar
- Have A1 rated weep holes been fitted at 450mm centres?

# Miers Group Depots Throughout the UK



Nationwide  
supply of building  
accessories...

...we offer

- Independently run business
- Nationwide coverage
- Commitment to the highest standard of service
- A unique level of expertise & experience

## Call Miers

Airdrie	01236 541130
Birmingham	0121 2893 293
Bordon	01420 200121
Bristol	0117 375 1230
Haydock	01925 202 128
Huntingdon	01480 702222
Launceston	01566 721011

Iss 1 September 2023

**MIERS**   
Construction Products Ltd

### Head Office

Unit 12, Windover Road, Huntingdon,  
Cambridgeshire PE29 7EB

t 01480 702222

f 01480 702223

e [sales@miersconstructionproducts.co.uk](mailto:sales@miersconstructionproducts.co.uk)  
[www.miersconstructionproducts.co.uk](http://www.miersconstructionproducts.co.uk)

**Kestral**   
Construction Products Ltd

### Kestral Construction Products Ltd

Unit 1-3, Fishwicks Industrial Estate,  
Kilbuck Lane, Haydock, St Helens WA11 9SZ

t 01744 830001

f 01744 830002

e [sales@kestral.net](mailto:sales@kestral.net)  
[www.kestral.net](http://www.kestral.net)

Part of the Miers Construction Products Group